



**DIGITAL SIGNAGE SOLUTIONS
&
PUBLIC INFORMATION**



32", 42", 46", 82" LCD - 55" ECO LED MONITOR
D-brain monitor INDOOR series

PUBLIC INFORMATION & DIGITAL SIGNAGE MONITOR

**D-brain
LCD
INDOOR
series**

EMBEDDED PC models for FIDs/PIDs applications:

D-BRAIN LCD 32 - PC 210
D-BRAIN LCD 42 - PC 210
D-BRAIN LCD 46 - PC 210
D-BRAIN LCD 82 - PC 210

EMBEDDED PC models for DIGITAL SIGNAGE applications:

D-BRAIN LCD 32 - PC 2703
D-BRAIN LCD 42 - PC 2703
D-BRAIN LCD 46 - PC 2703
D-BRAIN LED 55 - PC 2703
D-BRAIN LCD 82 - PC 2703

Hantarex presents a monitor line entirely designed for public information and digital signage networks' needs, such as airports, railways, subways, shopping malls and other public venues.

Hantarex D-Brain line is a monitor range especially designed to implement public information systems network location, such as airports FIDS and GIDS, GID an railways, bus stations, subways, shopping malls, public venues, etc.
The topic innovative monitor's concept is the tight and direct integration between the display and the controller, by means of a LVDS direct integrated connection.

PRODUCT MAIN ADVANTAGES AND FUNCTIONALITIES

No external video cable connection. Video connection from PC board to the LCD panel is totally internal and fully digital driven by a LVDS wire



MECHANICAL STRUCTURE & DISPLAY

- ruggedized metallic cabinet and internal mechanical structure
- best display quality due to a direct digital LVDS link from the LVDS integrated computer board to the LCD panel
- immediate and easy maintenance/service functions, by means of an extractable rack PC drawer, containing the PC board
- internal computer board and monitor's power supply (integrated on the rack drawer), quickly detachable (sliding out), by a single on-site operator, without moving the monitor from the site-location
- high safety grade while maintaining/installing operations due to a new auto SNAP-IN functionality, which allows a smart and easy rack drawer insertion/removal
- connections' safety top cover
- keyboard/trackball IR remote control
- Portrait and Landscape modes available

SOFTWARE & CONNECTIONS

- no external video cable connection. Video connection from PC board to the LCD panel is totally internal and fully digital driven by a LVDS wire
- theft/vandal shock sensor
- complete ADVANCED DIAGNOSTIC SOFTWARE (only over integrated PC versions), and by means of a dedicated SNMP protocol and Checkview local software for diagnostics, including:
 - ambient light control (autodimming),
 - control for internal voltages, backlight, fans status and regulation, shock sensor
- the monitor status and all video and environment settings are controlled by means of a simple LAN connection
- each monitor is easily and safely accessible from central servers using the SNMP standard protocol
- Wireless keyboard/trackball integrated

OPTIONS

- TOUCH SCREEN options: CAPACITIVE (for 32", 42", 46" formats)
IR MULTITOUCH up to 32 touches (for 55", 82" formats)
- ANTIGLARE protective laminated filter glass (available over 2703 PC type)

side LANDSCAPE view

LCD (24/7) industrial panels

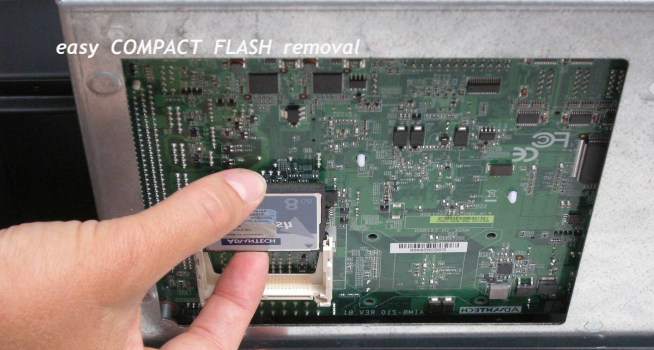


sliding RACK PC drawer

Internal computer board and monitor's power supply (integrated on the rack drawer), quickly detachable (sliding out)



easy COMPACT FLASH removal

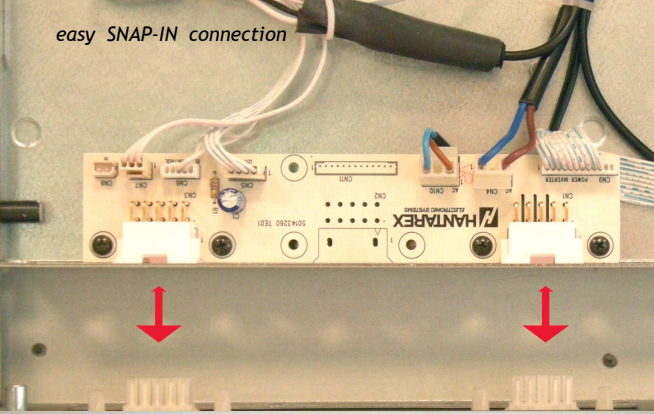


easy drawer release



easy drawer SLIDING OUT

easy SNAP-IN connection



LANDSCAPE and PORTRAIT mode



uo-cover removal



PC/Power Supply removal



back view



D-brain LCD INDOOR series

Technical Specification

CASE AND GENERAL SPECIFICATIONS

Protection class for dust and water Standards supported Mechanical fixing Glass (optional) Maintenance & installation

Power Supply

Lamps

Other

ENVIRONMENTAL

Temperature range (operating)

Relative humidity (operating)

Other

MTBF (medium time between failures)

Backlight lifetime

MTTR (medium time to repair)

Power supply

MONITOR

Technology

Aspect ratio

Native resolution

Colors

Brightness

Contrast ratio

View angle

Orientation

Response time

Video interface

Control

Video control

DIAGNOSTICS

ADVANCED see Embedded PC Tech Specs

AUDIO

Audio

TOUCH SCREEN (option)

IP30
UL 1950, EN60950, FCC CFR47 Class A, CE
VESA Standard
Temperated, laminated, antivandalism, antireflective, antiglare
Special rack style drawer opening for accessing internal parts
Safety snap-in
Cable protection casing
IEC standard socket
On/off switch
LED power
LEDs for active LAN and working LAN
Ambient light sensor
IR cell for keyboard/trackball
THEFT/VANDAL/SHOCK sensor

5°/+40° C
10-90% (non condensing)
> 100000 hrs (excluding lamps)
> 50000 hrs
< 30 min
90-264 Vac

LCD TFT
32", 42", 46", 55" (ECO led), 70" (on request), 82"
16:9
1920x1080 pixel (FHD)
16 M
up to 700 cd/sqm
up to 4000:1
178°
Horizontal or vertical
< 8 ms
Digital LVDS 2 ch (internal connection)
Over LAN
IR keyboard/trackball (only over PC 2703 version)
Brightness, contrast, dimming

ADVANCED see Embedded PC Tech Specs
(only over PC type 2703)
stereo, 7 W
3-way speakers 10 W
CAPACITIVE (over 32", 42", 46" formats)
IR MULTITOUCH up to 32 touches (over 55" and 82" formats)
(both available only within PC type 2703)

SPECIFICATIONS embedded STANDARD CONTROLLER (type 210) - FIDs/PIDs applications

PROCESSOR SYSTEM
CPU Intel Atom N270
Speed 1.6 GHz
L2 Cache 512 KB
Chipset Intel 945GSE + ICH7M
CPU fan Fanless
Other fan Fanless

MEMORY
Technology Single channel DDR2 533 MHz
Capacity Up to 2 GB
Standard capacity 2 GB

GRAPHICS
Controller Intel 945GSE GMCH integrated Graphic Media Accelerator 950
VRAM Shared system memory up to 224 MB SDRAM CRT + LVDS, CRT + TV-Out, LVDS + TV-Out
Dual Display

ETHERNET
Interface 10/100/1000 Mbps
Controller GbE LAN1 & 2: Realtek 8111C
Connector RJ-45 x 2

SSD
Capacity Supports Compact Flash Type I/II
Standard size Up to 16 GB
Other types (on request) SATA, SATA DOM, USB

Rear I/O
VGA 1
Ethernet 2
USB 4 (USB 2.0 compliant)
Audio 3 (Mic-in, Line-out, Line-in)
Serial 3 (2 of RS-232, 1 of RS-232/422/485)
PS/2 2 (1 x keyboard and 1 x mouse)

INTERNAL CONNECTORS
LVDS & inverter 2
USB 4 (USB 2.0 compliant)
Serial 3 (RS-232)
IDE 1
SATA 2
CompactFlash 1
Parallel 1
DIO 16-bit GPIO

WATCHDOG TIMER
Output System reset
Interval Programmable 1 ~ 255 sec/min

PHYSICAL CHARACTERISTICS
Format Mini-ITX
Dimensions 170 mm x 170 mm (6.69" x 6.69")

ADVANCED DIAGNOSTIC SOFTWARE
Operating System Windows XP Embedded
Local control control via Checkview software over:
LCD panel brightness
LCD panel contrast
Internal voltages
Internal temperatures (controller and panel)
Ambient light sensor
Backlight dimming
Internal and external fan speed
Audio level (optional)
SNMP agent (extension for Windows)
Support for SNMPv1, SNMPv2c
MIB compliant SMIv2

Remote control
OTHER
Keyboard IR interface, connected through internal USB
Trackball

Remote control
OTHER
Keyboard IR interface, connected through internal USB
Trackball

Remote control
OTHER
Keyboard IR interface, connected through internal USB
Trackball

Remote control
OTHER
Keyboard IR interface, connected through internal USB
Trackball

SPECIFICATIONS embedded ADVANCED CONTROLLER (type 2703) - DIGITAL SIGNAGE applications

PROCESSOR SYSTEM
CPU Dual Core i3-330 M
Speed 2.13 GHz
L2 Cache 3 MB

MEMORY
Technology DDR3 1066 MHz
Capacity Up to 8 GB
Standard capacity 2 GB

GRAPHICS
Controller Intel Gfx Gen5.75
VRAM Shared system memory up to 1 GB
Dual Display CRT + LVDS, CRT + DVI, LVDS + DVI

ETHERNET
Interface 10/100/1000 Mbps
Controller GbE LAN1: Intel 82577LM; GbE LAN2: Intel 82583V
Connector RJ-45 x 2

SATA/SSD
Max Data Transfer Rate 300 MB/s
Channels 4
Default capacity 160 GB (other on request)
Non volatile memory 2.5" SATA, SATA DOM, USB

Rear I/O
VGA 1
DVI 1
Ethernet 2
USB 4 (USB 2.0 compliant)
Audio 3 (Mic-in, Line-out, Line-in)
Serial 2 (RS-232)
PS/2 2 (1 x keyboard and 1 x mouse)

WATCHDOG TIMER
Output System reset
Interval Programmable 1 ~ 255 sec/min

ENVIRONMENT
Temperature Operating 0 ~ 40° C (32 ~ 140° F)
Non-Operating -20 ~ 70° C (-4 ~ 158° F)

ADVANCED DIAGNOSTIC SOFTWARE
Operating System Windows XP or 7 Embedded
Local control control via Checkview software over:
LCD panel brightness
LCD panel contrast
Internal voltages
Internal temperatures (controller and panel)
Ambient light sensor
Backlight dimming
Internal and external fan speed
Audio level (optional)
SNMP agent (extension for Windows)
Support for SNMPv1, SNMPv2c
MIB compliant SMIv2

Remote control (option)
OTHER
Keyboard IR interface, connected through internal USB
Trackball

Remote control (option)
OTHER
Keyboard IR interface, connected through internal USB
Trackball

Remote control (option)
OTHER
Keyboard IR interface, connected through internal USB
Trackball

Remote control (option)
OTHER
Keyboard IR interface, connected through internal USB
Trackball

Remote control (option)
OTHER
Keyboard IR interface, connected through internal USB
Trackball

Remote control (option)
OTHER
Keyboard IR interface, connected through internal USB
Trackball

Remote control (option)
OTHER
Keyboard IR interface, connected through internal USB
Trackball



www.hantarex.com

HANTAREX INTERNATIONAL LIMITED

Head Office:

34 Salisbury Street

LONDON

NW8 8QE

TEL: +44(0) 20 8778 1414

FAX: +44(0) 20 8659 9348

www.hantarex.com

sales@hantarex.com



UNI EN ISO 9001:2008